



# WTS - WTL Series WELL TANKS

Designed and constructed per ASME Code Section VIII

## SUBMITTAL DATA SHEET

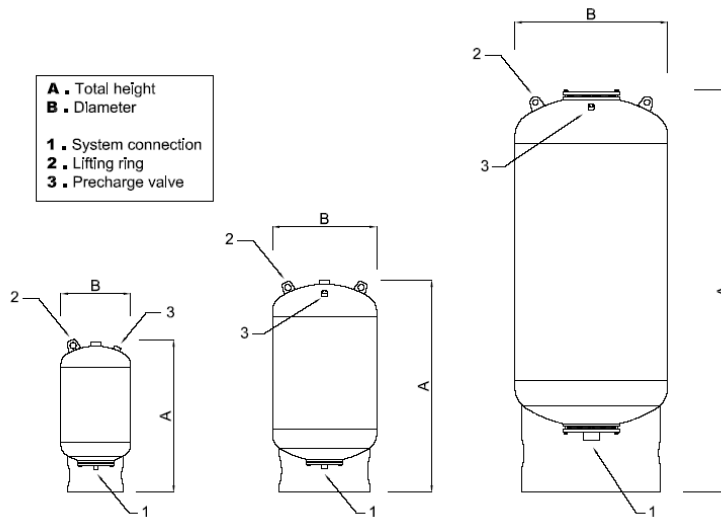
MODEL NUMBER	Capacity		B		A		NPT SYSTEM CONNECTION	APPR. WEIGHT	
	Gals	Liters	ins.	mm.	ins.	mm.		lbs.	Kg.
WTS-45	12.0	45	15.8	400	22.4	569	3/4"	52	23.6
WTS-80	21.0	80	15.8	400	34.9	886	1"	78	35.4
WTS-100	26.5	100	19.7	500	37.3	947	1"	83	37.6
WTS-140	37.0	140	19.7	500	43.3	1100	1"	114	51.7
WTL-170	44.0	170	19.7	500	48.7	1,237	1 1/4"	160	72.6
WTL-200	53.0	200	21.7	550	47.2	1,199	1 1/4"	170	77.1
WTL-300	80.0	300	25.6	650	49.0	1,245	1 1/4"	215	97.5
WTL-400	105.0	400	25.6	650	57.9	1,471	1 1/4"	248	112.5
WTL-450	120.0	450	29.5	750	55.8	1,417	1 1/4"	283	128.4
WTL-500	132.0	500	35.5	750	58.0	1,527	2"	341	154.7
WTL-600	160.0	600	35.5	650	67.0	2,256	2"	391	177.4
WTL-800	210.0	800	29.5	750	91.5	2,324	2"	531	240.9
WTL-1000	265.0	1,000	31.5	800	95.5	2,426	2"	561	254.5
WTL-1200	320.0	1,200	35.5	900	100.6	2,555	3"	960	435.4
WTL-1400	370.0	1,400	37.5	950	102.4	2,601	3"	1,040	471.7
WTL-1600	420.0	1,600	41.5	1,050	99.2	2,520	3"	1,183	536.6
WTL-2000	530.0	2,000	43.5	1,105	113.5	2,883	3"	1,318	597.8
WTL-3000	790.0	3,000	51.2	1,300	118.2	3,002	3"	1,865	845.9
WTL-4000	1,060.0	4,000	61.0	1,550	123.0	3,124	3"	2,616	1,186.6
WTL-5000	1,320.0	5,000	63.0	1,600	132.0	3,353	3"	2,892	1,311.8

SPECIFICATIONS
Maximum working pressure 150 PSI (10.5 kg/cm <sup>2</sup> )
Maximum operating temp. 240°F (115°C)

Tanks are built in accordance with ASME Section VIII, Division I.  
Bladder contains FDA approved compounds and is suitable for domestic potable water applications.  
Seamless one piece bladder for longer life.  
Bladder is completely replaceable.  
Epoxy gray finish exterior.

Factory precharge 40 psig (2.75 kgf/cm <sup>2</sup> )
<b>System connection: Epoxy coated system connection</b> WTS-45 thru WTL-450: bottom connection WTL-500 thru WTL-5000 available with either top or bottom connection WTS-45 thru WTL-5000: NPT CONN.

\* ALL UNITS SUITABLE FOR HORIZONTAL INSTALLATIONS



Job Name
Location
Engineer
Contractor
Contractor P.O. Number

Sales representative		
Model number ordered	Qty:	
System operating temperature	Min.	max.
Date submitted		

Dimensional data and weights are approximate  
Rev. 05-2009