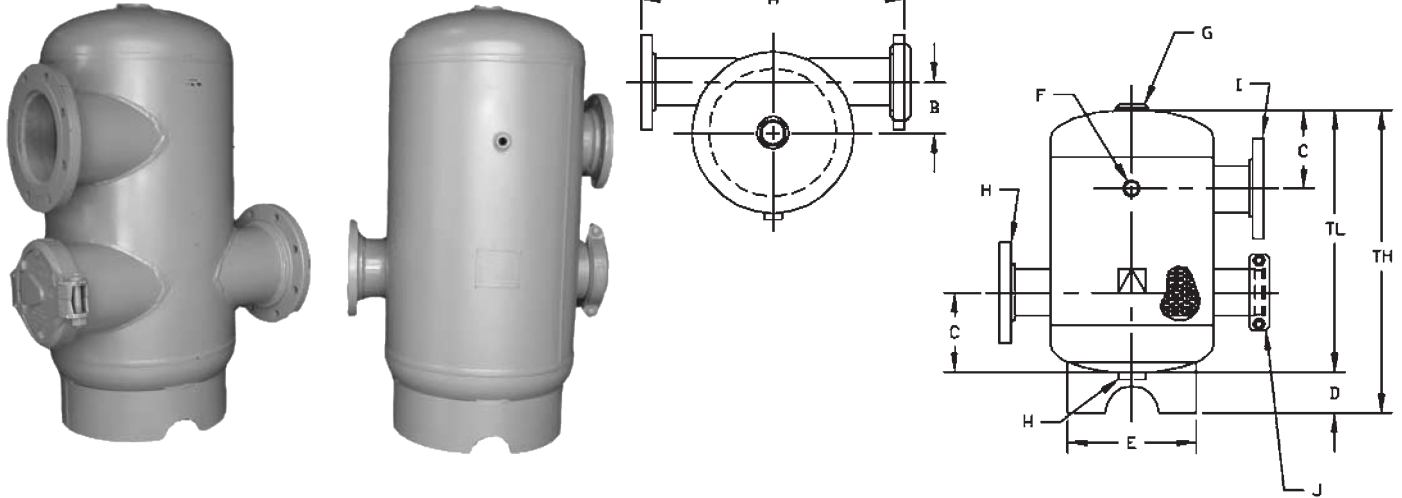




# Air Separator With Strainer



**Description:** Air Separator used for removal of entrained air in hydronic and pumping systems

- Specifications:**
- Built to ASME Code Section VIII, National Board Registered
  - Carbon Steel
  - Basing Support
  - 150 PSI Working Pressure @ 400 °F (2" to 10" sizes only)
  - Gray Primer
  - Item "J" has grooved coupling & cap

Custom sizes, grooved connections, and finish available upon request.  
CIA-075 Cast Iron Hi-Capacity Air Vent Available.

DESCRIPTION				DIMENSIONS (INCHES)					OPENINGS					
PART #	DIA	TL	TH	A	B	C	D	E	F	G	H	I	J	WT
ASW-020	12	19 ½	22 ½	16 5/8	4 5/16	5 ½	3	9 ½	½	1 ¼	1	2 NPT	2	45
ASW-025	12	21	23 ½	16 5/8	4 1/16	6 ¼	2 ½	9 ½	½	1 ¼	1	2 ½ NPT	2 ½	42
ASW-030	12	20 ½	23 ½	19 ¾	3 ¾	6 ¼	2 ½	9 ½	½	1 ¼	1	3 FLG	3	52
ASW-040	14	29	32	21 ¾	4 ¼	9 1/8	3	11 ½	½	1 ½	2	4 FLG	4	94
ASW-050	14	29	32	21 ¾	3 ¾	9 1/8	3	11 ½	½	1 ½	2	5 FLG	5	116
ASW-060	20	41	44	28	6 ¼	13 ¼	3	18	½	2	2	6 FLG	6	201
ASW-080	20	41	44	28	5 3/16	13 ¼	3	18	½	2	2	8 FLG	8	296
ASW-010	30	58	60 ½	41	9 1/8	19	2 ½	24	½	2	2	10 FLG	10	560