



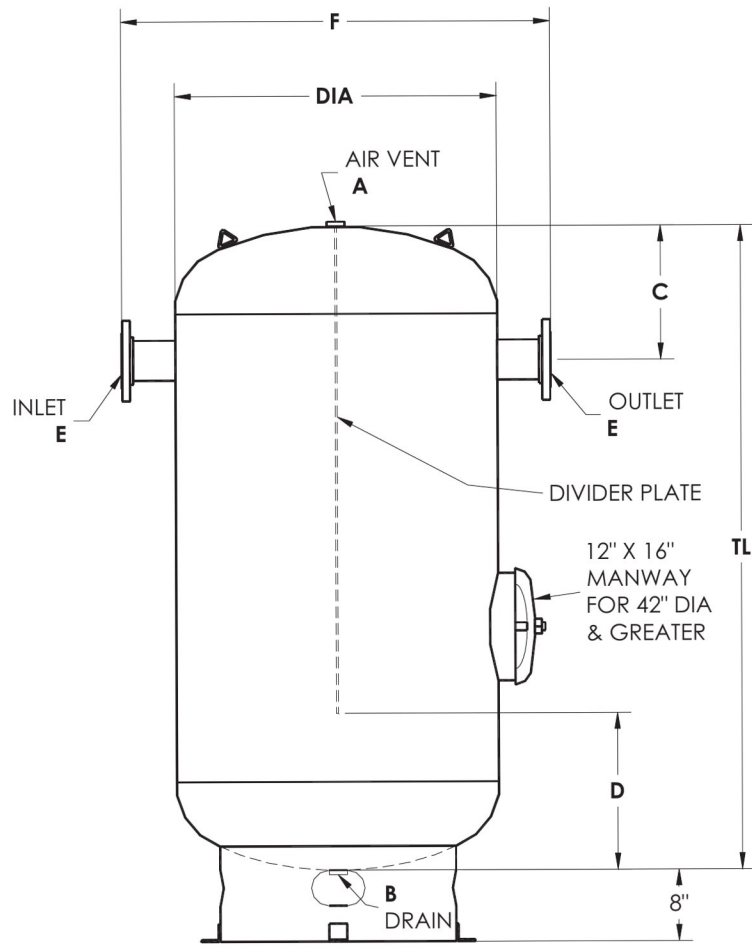
ASME CHILL WATER BUFFER TANKS

Description:

Chill Water Buffer Tanks

Specifications:

- Built to ASME Code Section VIII
- National Board Registered
- Carbon Steel
- Gray Primer
- 150 PSI @ 400 °F
- Other Design Pressures Available
- Custom Sizes also Available
- * Denotes Stock Units



OPENINGS	
E	
1" NPT	
1.5" NPT	
2" NPT / GROOVE PIPE	
2.5" NPT / GROOVE PIPE	
3" NPT / GROOVE PIPE	
4" FLANGE / GROOVE PIPE	
6" FLANGE / GROOVE PIPE	
8" FLANGE / GROOVE PIPE	
10" FLANGE / GROOVE PIPE	
12" FLANGE / GROOVE PIPE	
14" FLANGE / GROOVE PIPE	
16" FLANGE / GROOVE PIPE	
18" FLANGE / GROOVE PIPE	
20" FLANGE / GROOVE PIPE	

PART#	VOLUME GALLONS	DIAMETER DIA	LENGTH TL	VENT A	DRAIN B	CENTER OF IN/ OUT DIMENSION C	D	E	F	WEIGHT
*CWT-120	120	24	60	1	3/4	12	20	3" Flange	34	300 lbs
*CWT-200	200	30	72	1	3/4	14	24	3" Flange	40	513 lbs
*CWT-300	300	36	72	1	3/4	16	24	4" Flange	46	617 lbs
CWT-500	500	42	90	1 1/2	3/4	18	30	Per Request	52	1239 lbs
CWT-680	680	48	96	1 1/2	3/4	20	32	Per Request	58	1507 lbs
CWT-850	850	54	96	1 1/2	3/4	22	32	Per Request	64	1777 lbs
CWT-1040	1040	60	96	1 1/2	3/4	24	32	Per Request	70	2358 lbs